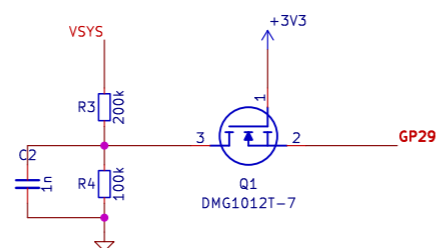
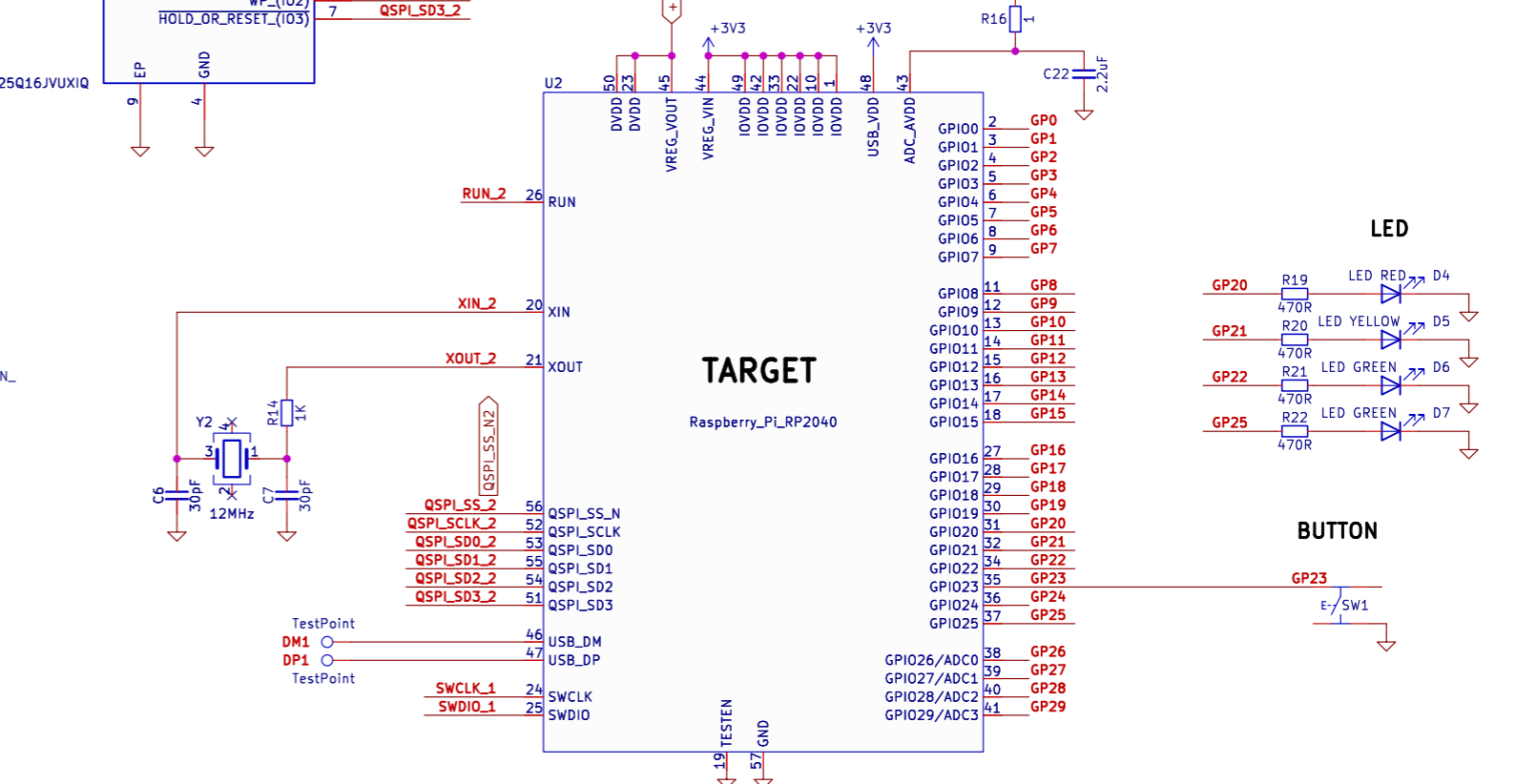
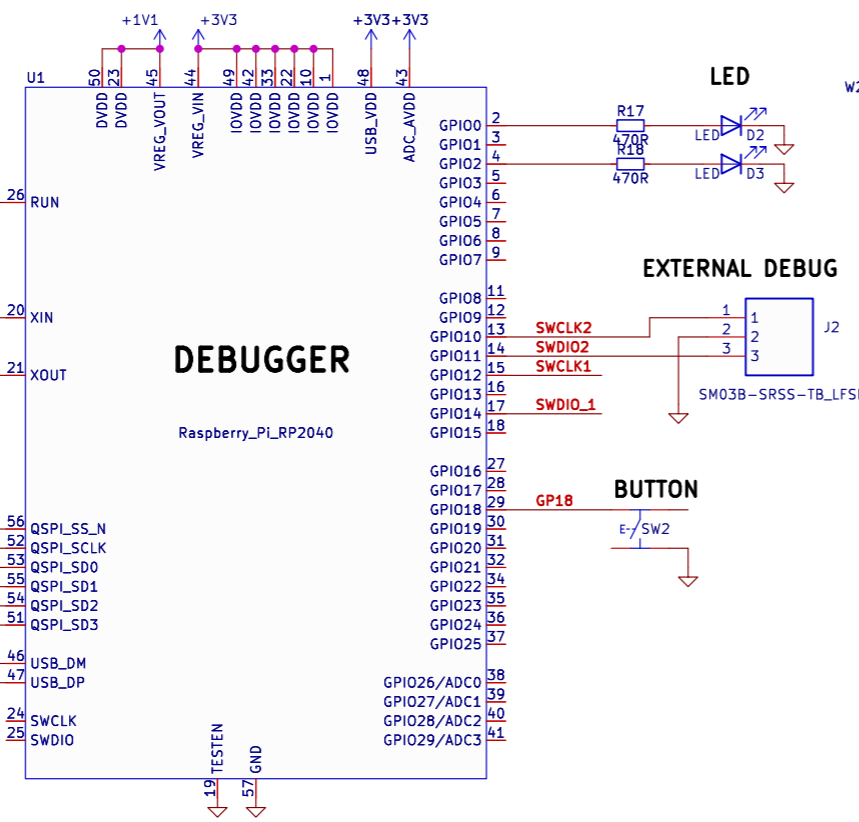
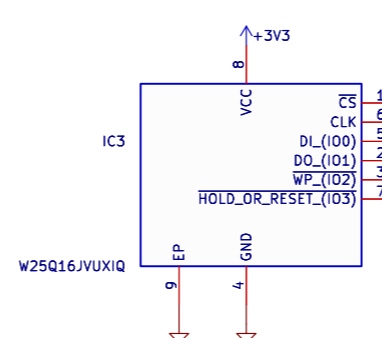
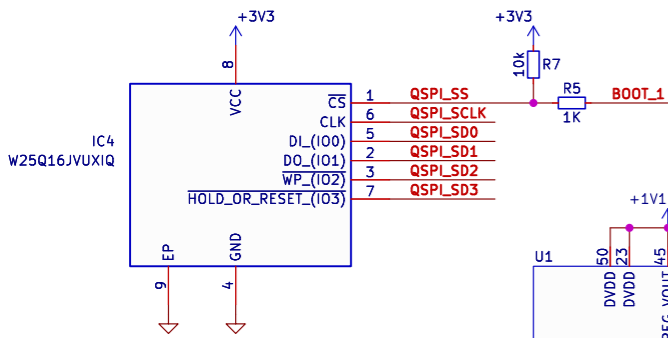


U3			
GP0	1	GP0	40
GP1	2	GP1	39
GND	3	VSYS	38
GP2	4	GND	37
GP3	5	3V3_EN	36
GP4	6	GP3	35
GP5	7	3v3(OUT)	34
GND	8	ADC_VREF	33
GP6	9	GND	32
GP7	10	GP6	31
GP8	11	GP7	30
GP9	12	RUN	29
GND	13	GP9	28
GP10	14	GND	27
GP11	15	GP10	26
GP12	16	GP11	25
GP13	17	GP12	24
GND	18	GP13	23
GP14	19	GND	22
GP15	20	GP14	21
		GP15	20
		GP16	21
		GP17	22
		GP18	23
		GP19	24
		GP20	25
		GP21	26
		GP22	27
		GP23	28
		GP24	29
		GP25	30
		GP26	31
		GP27	32
		GP28	33
		GP29	34
		VSYS	35
		3V3_EN	36
		3v3(OUT)	37
		VSYS	38
		VBUS	39
		VBUS	40



Baker link.

Baker link. Lab
 Sheet: /
 File: Baker_link02.kicad_sch
Title: Baker link. Dev
 Size: A3 Date: 2024-09-15 Rev: 1.00
 KiCad E.D.A. kicad 7.0.8 Id: 1/1